

Parts needed to mount the NISA-KON extrusion



Extrusion (A)



Mounting strip (B)



Cover (C)



End cap (D)



Silicone cord (E)



LED strip (F)

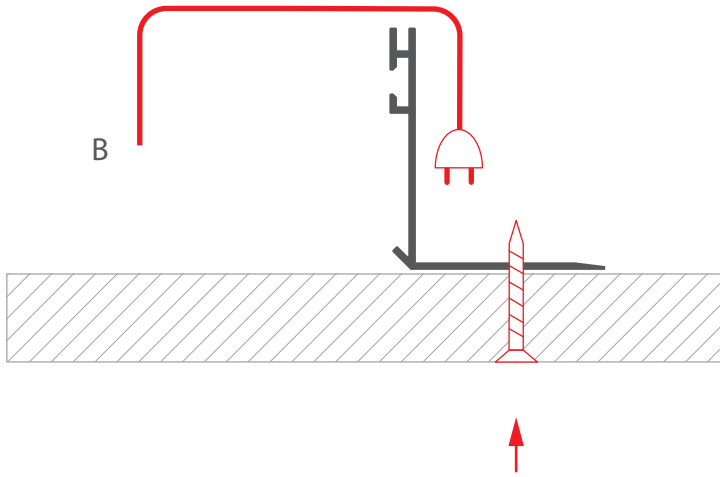
Tools needed for mounting:

- drill
- screwdriver

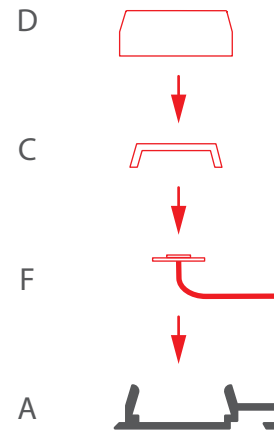
WARNING! All LED strips should be connected to a 12 V or 24 V power supply.

IMPORTANT: The mounting instructions present the basic form of assembly. More methods and related accessories can be found at www.KlusDesign.com

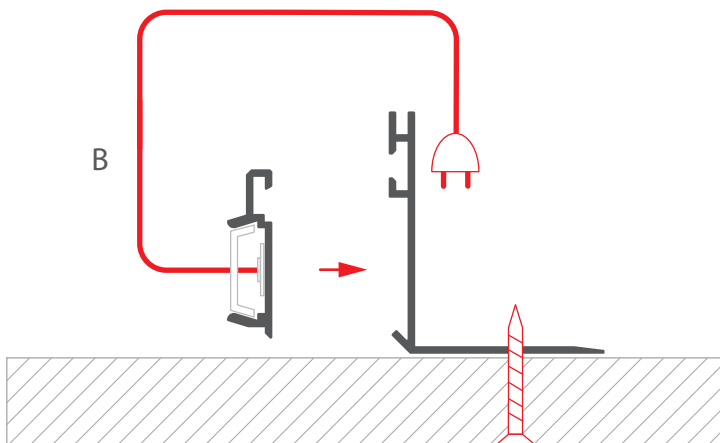
1. Feed the power cable and attach the mounting strip (B) to the surface with screws.



2. Feed the power cable. Mount the LED strip (F) and insert the cover (C) and end cap (D).



3. Connect power and assemble the extrusion (A) with the mounting strip (B).



4. Feed the silicone cord (E) into the hole.

