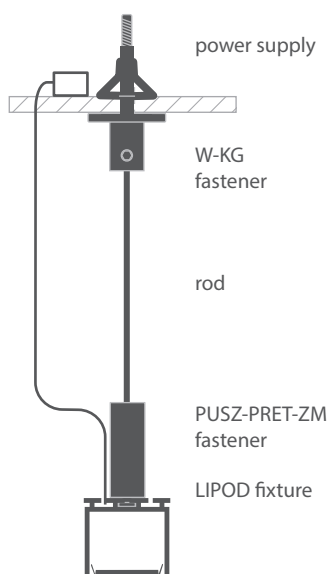
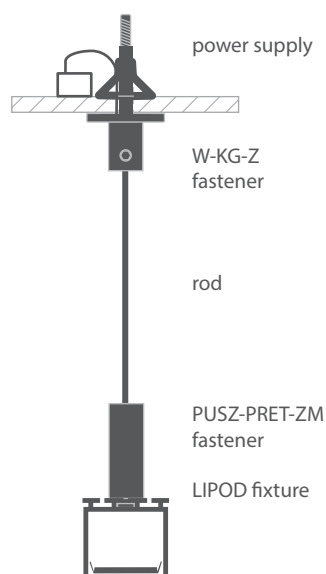


**Instruction includes methods of mounting:**

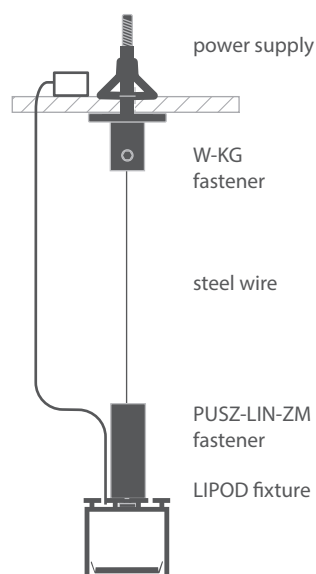
**1) Rod - non-conductive (drop lead)**



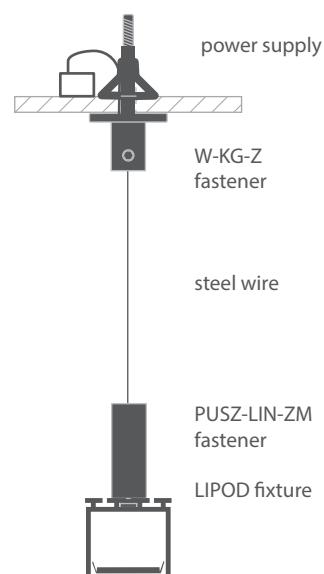
**2) Rod - conductive driven power supply**



**3) Wire - non-conductive (drop lead)**



**4) Wire - Rod - conductive driven power supply**



**Tools needed for mounting:**

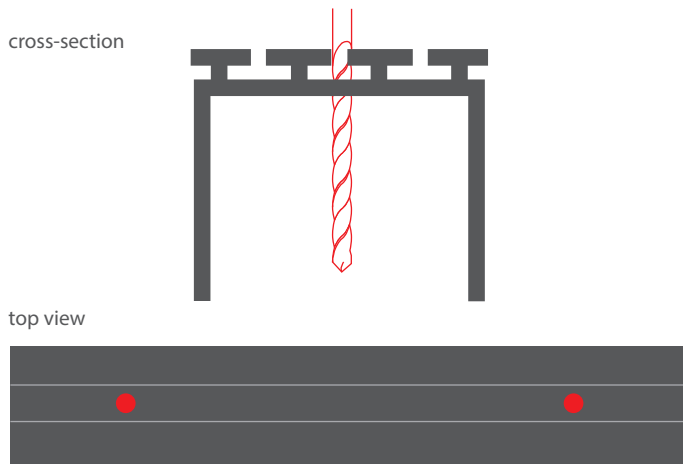
- drill
- pliers
- allen wrench
- soldering iron

**NOTE!** All LED strips must be connected to a 12 V or 24 V power supply.

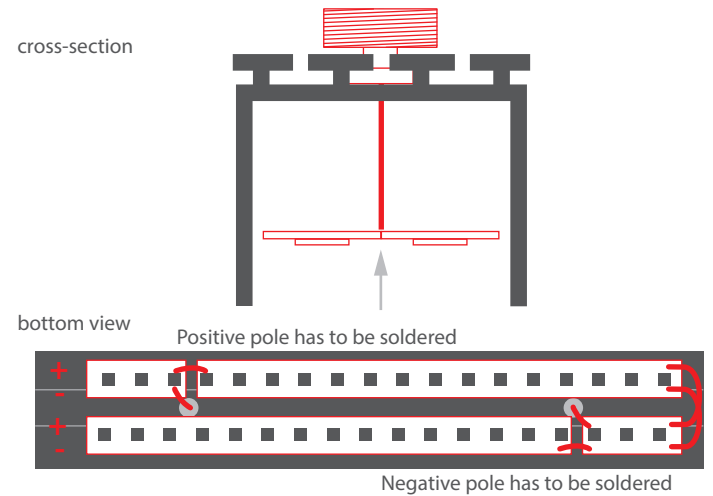
**IMPORTANT:** The manual presents the simplest mounting procedure.  
More mounting procedures and related accessories can be found at [klusdesign.com](http://klusdesign.com)

\*If fully built fixtures are ordered and received from KLUS please skip to #3

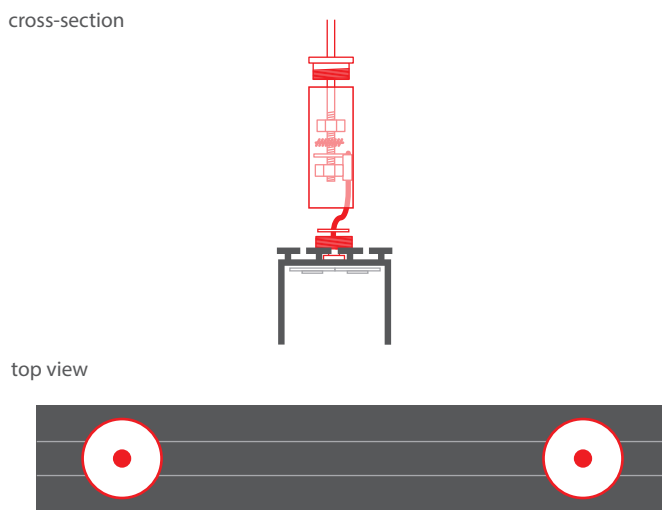
**1.** Drill the holes in the LIPOD extrusion to mount the PUSZ-PRET-ZM fasteners.



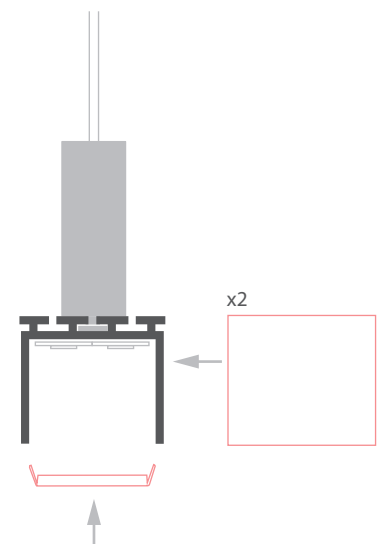
**2.** Mount the LED strip in the extrusion and lead the cables through pre-drilled holes and threaded plugs of the PUSZ-PRET-ZM fasteners. Each hole should lead a cable with one power pole, LED strip has to be cut before installation, so the wires can be easily routed to the holes.



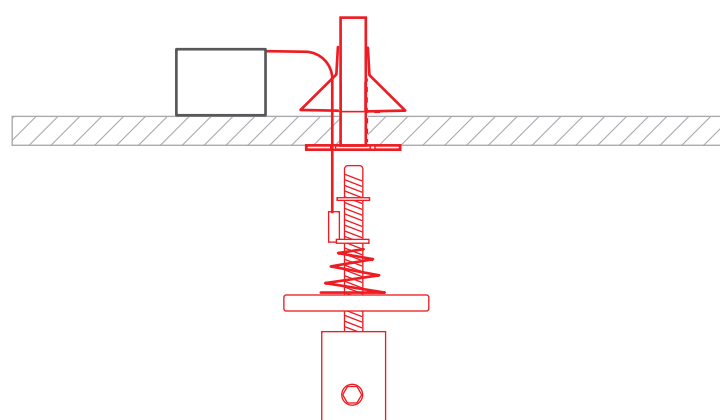
**3.** Connect the wires to the Install the power connectors of the PUSZ-PRET-ZM fasteners and install the whole fasteners with rods on the LIPOD extrusion. The fastener installation manual can be downloaded at [www.klusedesign.com](http://www.klusedesign.com).



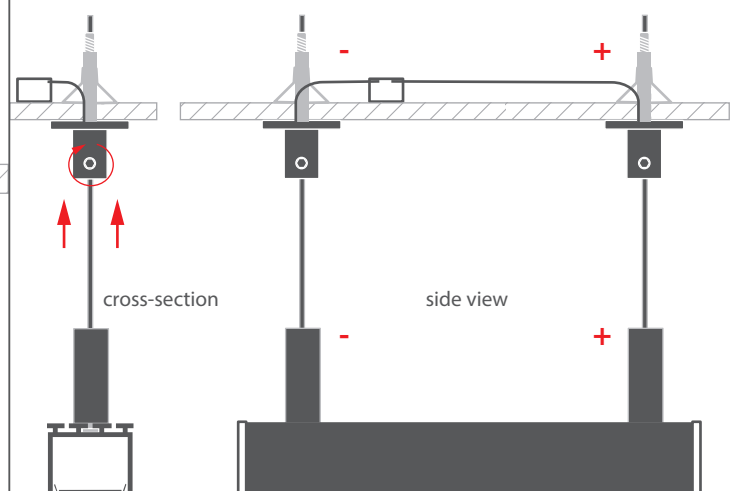
**4.** Install the cover and both end caps.



**5.** Install the W-KG-Z ceiling fasteners. The fastener installation manual can be downloaded at [www.klusedesign.com](http://www.klusedesign.com). Connect the cables, each for the single power pole to the fasteners. The cables should go through a pre-drilled hole just under the masking cover of the fastener.



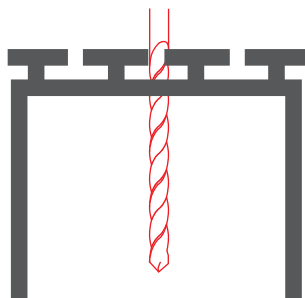
**6.** Mount the fixture with rods into the ceiling fasteners. Mind that the power poles connected to the rods should match the ones connected to the fasteners.



\*If fully built fixtures are ordered and received from KLUS please skip to #3

**1.** Drill the holes in the LIPOD extrusion to lead the power cable.

cross-section

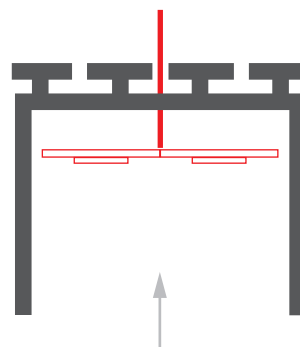


top view

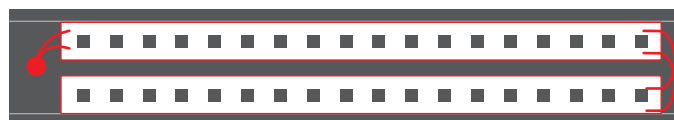


**2.** Mount the LED strip in the extrusion and lead the cable through a pre-drilled hole.

cross-section

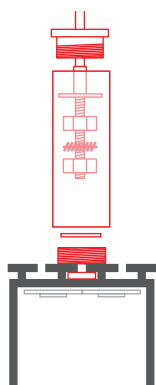


bottom view



**3.** Install the PUSZ-PRET-ZM fasteners with rods on the LIPOD extrusion. The fastener installation manual can be downloaded at [www.klusdesign.com](http://www.klusdesign.com).

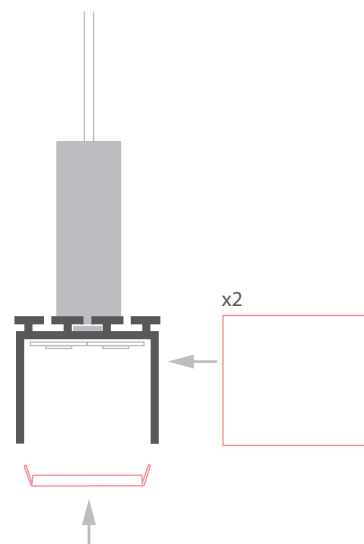
cross-section



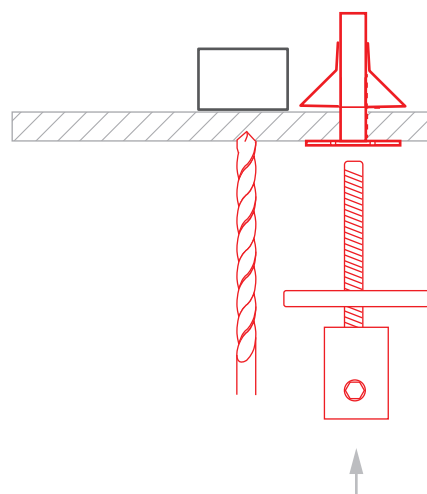
top view



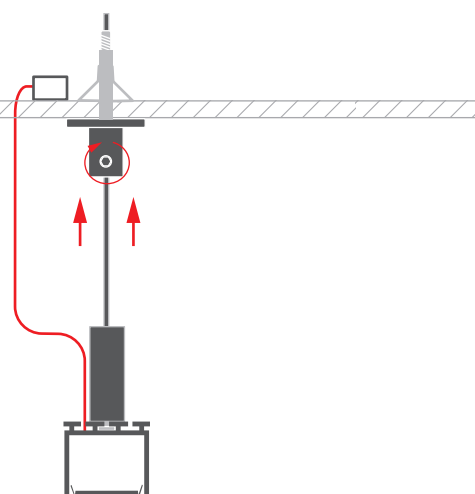
**4.** Install the cover and both end caps.



**5.** Install the W-KG ceiling fasteners. The fastener installation manual can be downloaded at [www.klusdesign.com](http://www.klusdesign.com). Place the power supplier next to the fastener and drill the ceiling to lead the cable to it.



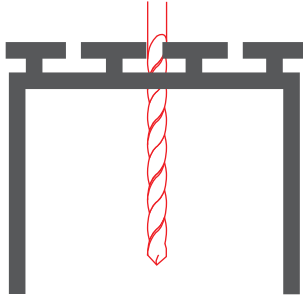
**6.** Mount the fixture with rods into the ceiling fasteners. Connect the cable to the power supplier, leading it through a pre-drilled hole in the ceiling.



\*If fully built fixtures are ordered and received from KLUS please skip to #3

**1. Drill the holes in the LIPOD extrusion to lead the power cable.**

cross-section

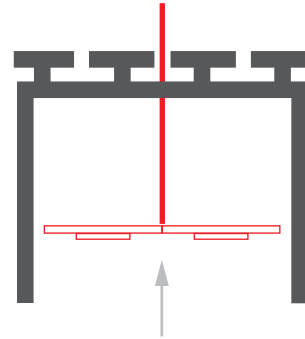


top view

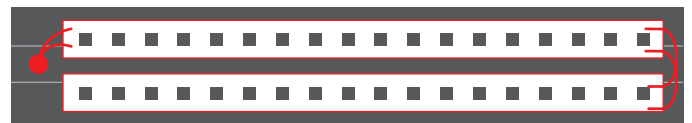


**2. Mount the LED strip in the extrusion and lead the cable through a pre-drilled hole.**

cross-section

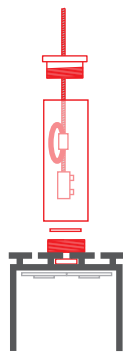


bottom view



**3. Install the PUSZ-LIN-ZM fasteners with steel wires on the LIPOD extrusion.** The fastener installation manual can be downloaded at [www.klusdesign.com](http://www.klusdesign.com).

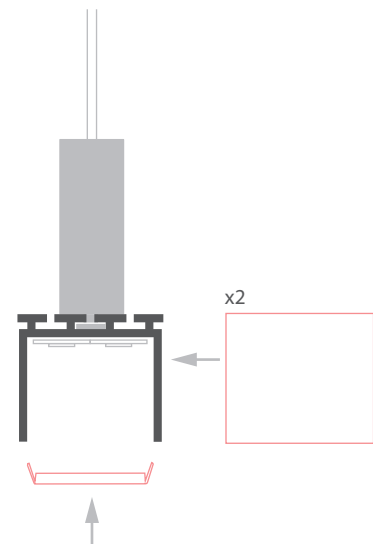
cross-section



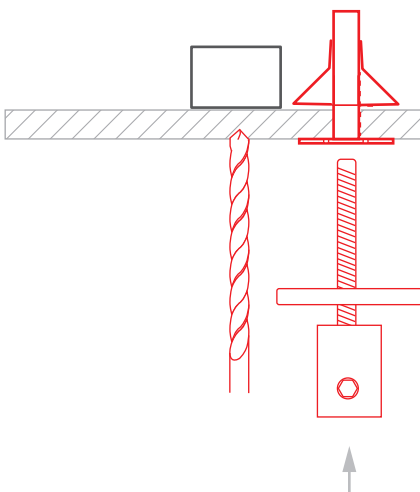
top view



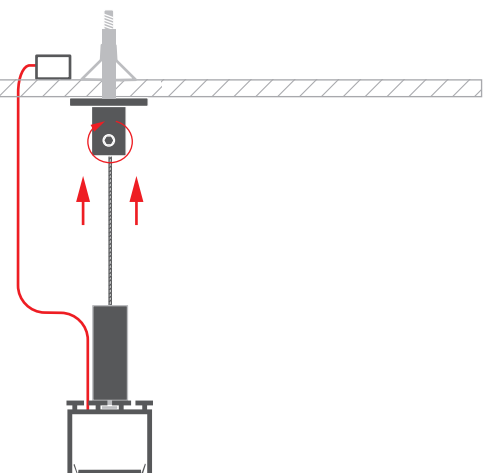
**4. Install the cover and both end caps.**



**5. Install the W-KG ceiling fasteners.** The fastener installation manual can be downloaded at [www.klusdesign.com](http://www.klusdesign.com). Place the power supplier next to the fastener and drill the ceiling to lead the cable to it.

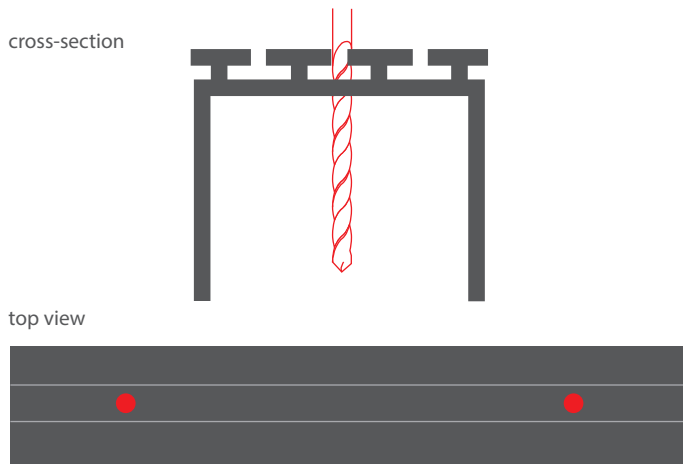


**6. Mount the fixture with steel wires into the ceiling fasteners.** Connect the cable to the power supplier, leading it through a pre-drilled hole in the ceiling.

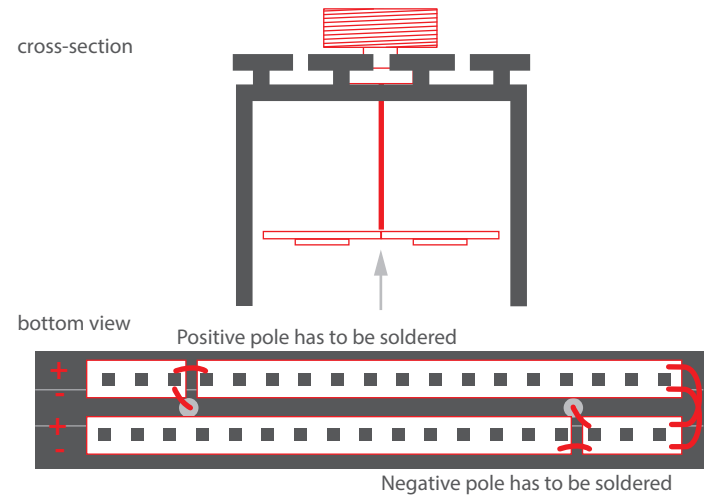


\*If fully built fixtures are ordered and received from KLUS please skip to #3

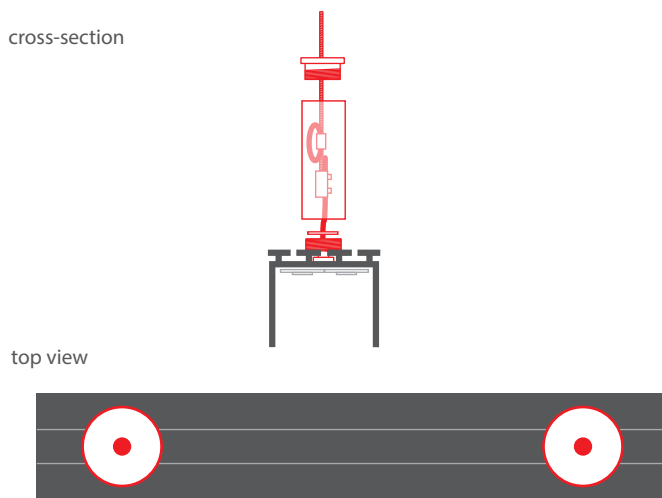
**1.** Drill the holes in the LIPOD extrusion to mount the PUSZ-LIN-ZM fasteners.



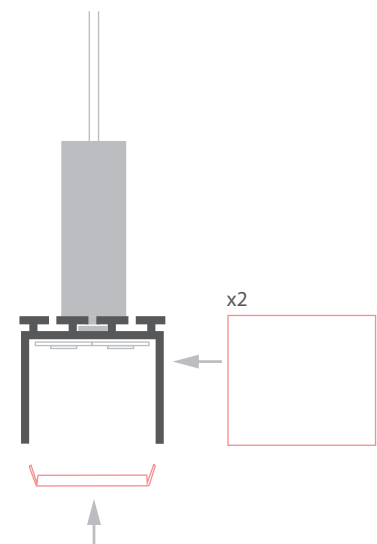
**2.** Mount the LED strip in the extrusion and lead the cables through pre-drilled holes and threaded plugs of the PUSZ-LIN-ZM fasteners. Each hole should lead a cable with one power pole, LED strip has to be cut before installation, so the wires can be easily routed to the holes.



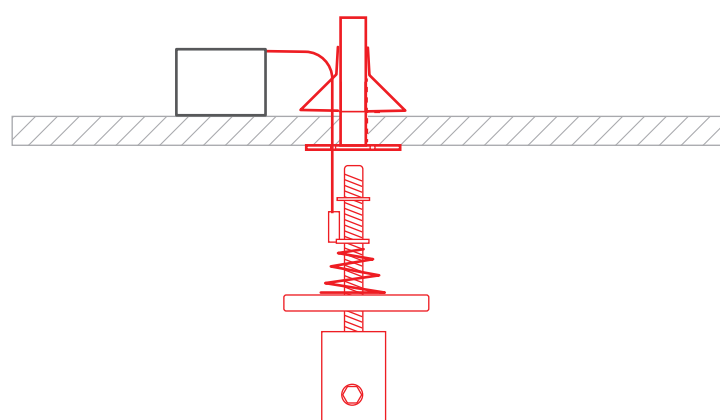
**3.** Connect the wires to the Install the power connectors of the PUSZ-LIN-ZM fasteners and install the whole fasteners with steel wires on the LIPOD extrusion. The fastener installation manual can be downloaded at [www.klusdesign.com](http://www.klusdesign.com).



**4.** Install the cover and both end caps.



**5.** Install the W-KG-Z ceiling fasteners. The fastener installation manual can be downloaded at [www.klusdesign.com](http://www.klusdesign.com). Connect the cables, each for the single power pole to the fasteners. The cables should go through a pre-drilled hole just under the masking cover of the fastener.



**6.** Mount the fixture with steel wires into the ceiling fasteners. Mind that the power poles connected to the steel wires should match the ones connected to the fasteners.

