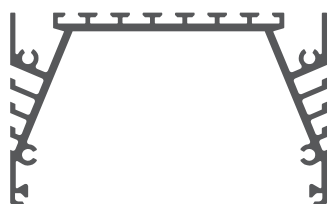


Parts needed to mount the SEPOD extrusion



Extrusion (A)



Mounting track (B)



Cover (C)



End cap (D)



End cap (E)



Spring (F)



LED strip (G)

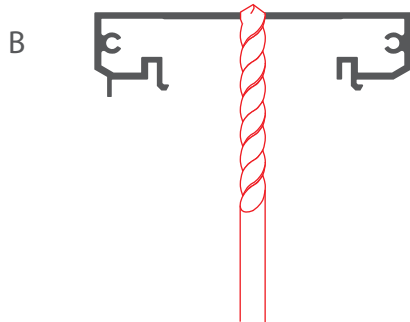
Tools needed for mounting:

- drill
- screwdriver

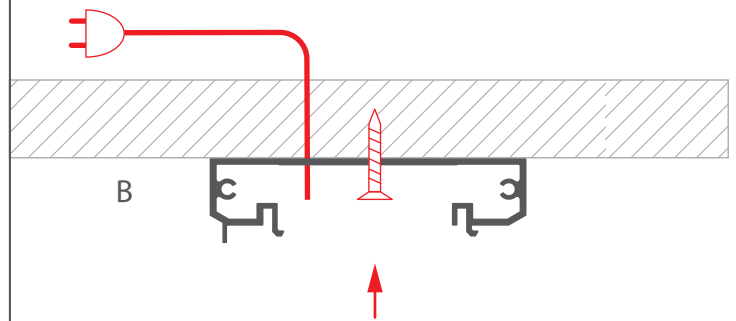
NOTE! All LED strips must be connected to a 12 V or 24 V power supply.

IMPORTANT: The manual presents the simplest mounting procedure.
More mounting procedures and related accessories can be found at klusdesign.com

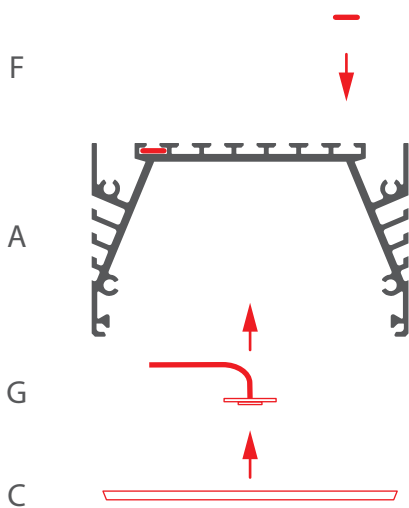
1. Drill a hole in the mounting track (B).



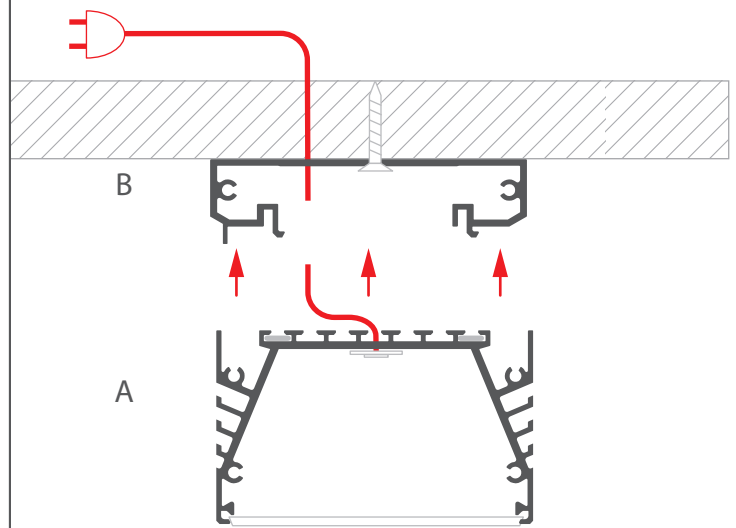
2. Feed the power cable and attach the mounting track (B) to the mounting surface with screws.



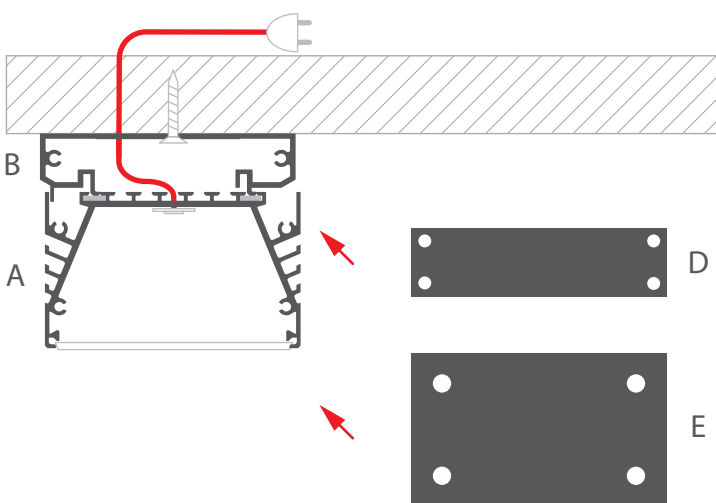
3. Feed the power cable. Insert springs (F) into the extrusion (A). Mount the LED strip (G) and insert the cover (C).



4. Connect power and assemble the extrusion (A) with the mounting track (B).



5. Attach the end caps (D) (E) to the extrusion (A) and the mounting track (B).



NOTE! When constructing polygonal fixtures, it is necessary to pay attention that the hooks of the assembly strip are turned to face outside the built shape. The last piece of the fixture to be mounted should be with the edges cut at an angle inwards to the inside of the polygon fixture.

